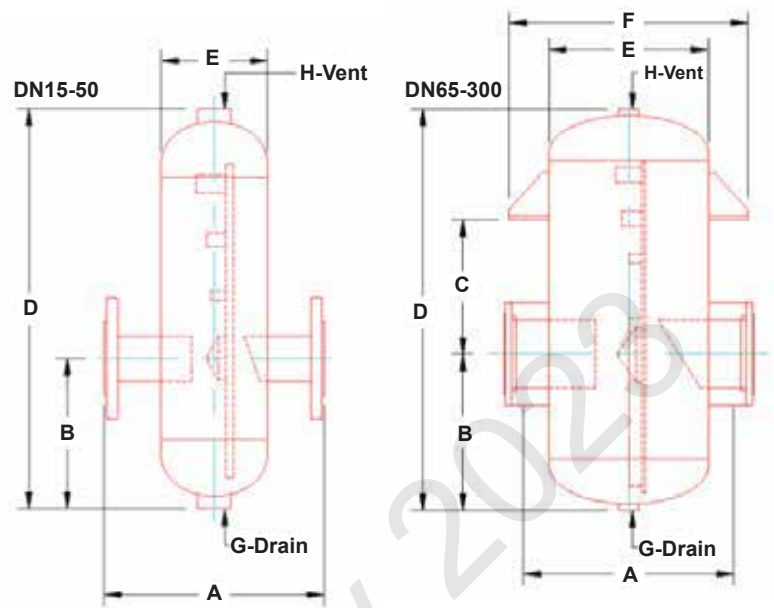




Steam Separator



### Description

for the removal of entrained liquids in steam, compressed air and gas systems. It is available in carbon steel material.

### Dimensions for Steam separator

Size	A	B	C	D	E	F	G	H
15	210	116	-	270	89	-	1/2"	1/2"
20	220	118	-	365	89	-	1/2"	1/2"
25	220	145	-	370	114	-	1/2"	1/2"
32	250	165	-	420	140	-	1/2"	1/2"
40	250	190	-	518	140	-	1"	1"
50	290	205	-	545	140	-	1"	1"
65	350	255	192	680	165	295	1"	1"
80	410	290	210	740	216	345	1"	1"
100	475	305	240	804	267	420	2"	1"
125	656	309	250	860	356	520	2"	1"
150	706	340	310	950	406	565	2"	2"
200	850	460	400	1200	508	670	2"	2"
250	950	615	530	1580	608	908	2"	2"
300	1000	740	540	1700	608	908	2"	2"

Dimension A only applies when standard flanges are used. The dimensions will vary for non standard flanges

### Limiting conditions

Designed Pressure	31.034 bar g
Designed Temperature	330 °C

### Materials

Part	Material	Sizes & Pipe
Body	Carbon Steel (DIN 17175 Gr. St 45.8)	DN15-300