

BALL VALVES

Type 503F16, DIN, 1/2"-4"

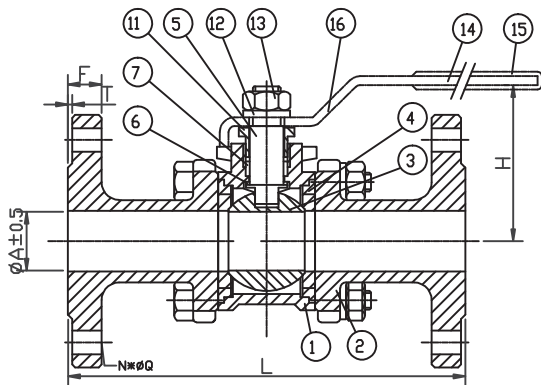
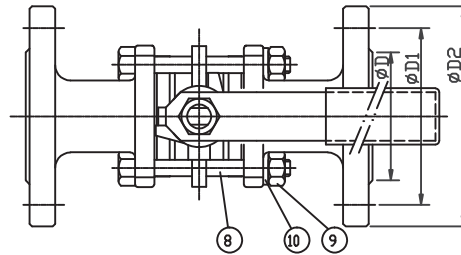


Three-piece ball valve, flange connection.



Three Piece full bore DIN PN-16 Industrial Ball Valve Flange end

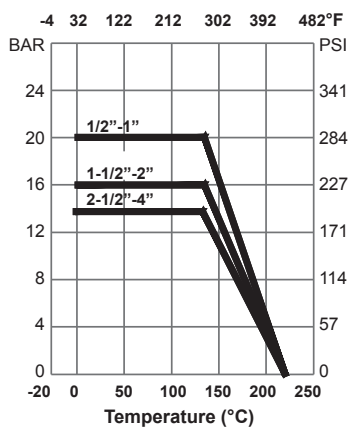
- Blow-Out Proof stem/Solid ball
- High performance
- Handle with locking device
- Install actuator direct
- Investment cast stainless steel
- Size available from 1/2" to 4"
- Flange end cap for DIN 3202 PN-16 F-1
- Long neck ISO5211 mounting pad enables to



Standard Material Specifications

No.	Part Name	Materials
1	Body	A351-CF8M
2	Cap	A351-CF8M
3	Ball	A351-CF8M
4	Ball Seat	TFM1600
5	Stem	AISI-316
6	Thrust Washer	RPTFE
7	Stem Packing	RPTFE
8	Bolt	AISI-304
9	Hex Nut	AISI-304
10	Bolt Washer	AISI-304
11	Gland	AISI-304
12	Washer	AISI-304
13	Nut	AISI-304
14	Handle	AISI-304
15	Plastic Cover	Plastic

PRESSURE TEMPERATURE RATINGS



Dimensions (mm)

Size	DN	A	L	H	F	T	N	ØQ	ØD	ØD1	ØD2
1/2"	15	15	130	46	16	2.0	4	14	45	65	95
3/4"	20	20	150	53	18	2.0	4	14	58	75	105
1"	25	25	160	57	18	2.0	4	14	68	85	115
1-1/4"	32	32	180	80	18	2.0	4	18	78	100	140
1-1/2"	38	38	200	88	18	3.0	4	18	88	110	150
2"	50	50	230	94	18	3.0	4	18	102	125	165
2-1/2"	65	65	290	130	18	3.0	4	18	122	145	185
3"	80	80	310	140	20	3.0	8	18	138	160	200
4"	100	100	350	165	20	3.0	8	18	158	180	220