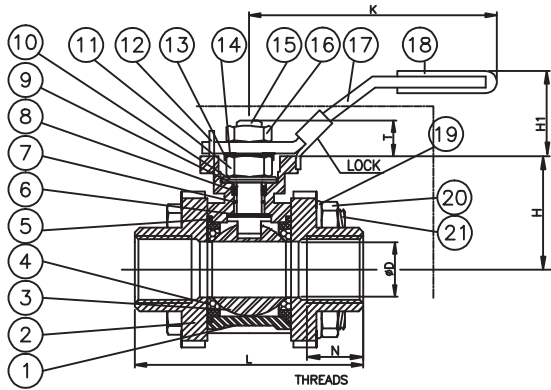
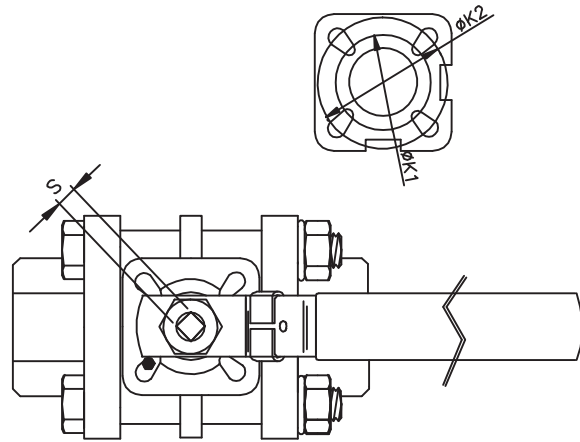


BALL VALVES

Type 503SB, 1/2"-2"



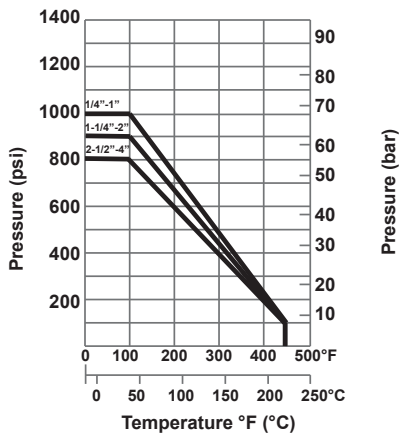
Three-piece mount direct ball valve, threaded ends.



Standard Material Specifications

No.	Part Name	Materials	Q'ty
1	Body	AISI 316/304	1
2	Cap	AISI 316/304	1
3	Ball	AISI 316/304	1
4	Seat	TFM-1600	2
5	Gasket	TFM-1600	2
6	Thrust Washer	TFM-1600	1
7	O-Ring	VITON	1
8	Stem Packing	TFM-1600	1
9	Ring	AISI 304	2~3
10	Belleville Washer	AISI 304	2
11	Stem Nut	AISI 304	2
12	Stop Pin	AISI 304	1
13	Lock Washer	AISI 304	1
14	Ring	AISI 304	1
15	Stem	AISI 304	1
16	Handle Nut	AISI 304	1
17	Handle	AISI 304	1
18	Handle Sleeve	Plastic	1
19	Spring Washer	AISI 304	4
20	Bolt Nut	AISI 304	4.8.12
21	Bolt	AISI 304	4.6

PRESSURE TEMPERATURE RATINGS



Dimensions (mm)

Size	ØD	L±2.	H	K±3.	T	S	ØD1	ISO5211		*torque (Nm) at 6.9 bar	N	H1±3.	WT(KG)
								ØK1	ØK2				
1/2"	15	62.7	38	143	9	9	21.8	F03	F04	8	20	26	0.42
3/4"	20	68	47	143	9	9	27.2	F03	F04	14	21	26	0.63
1"	25	79.6	57.2	160	11	11	34	F04	F05	17	21	32	0.9
1-1/4"	32	90.6	62.5	160	11	11	42.7	F04	F05	47	27.5	32	1.4
1-1/2"	38	106.7	77.5	187	14	14	48.8	F05	F07	51	26.5	42	2.3
2"	50	126.5	86.5	187	14	14	61.2	F05	F07	59	31	42	3.16

*suggested added safety factor 20%

