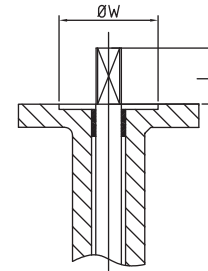
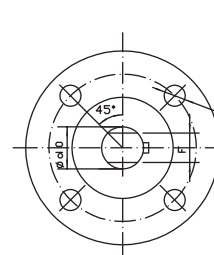
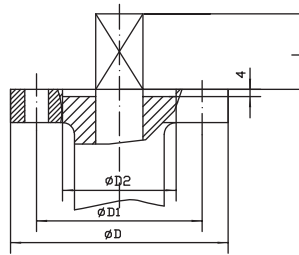
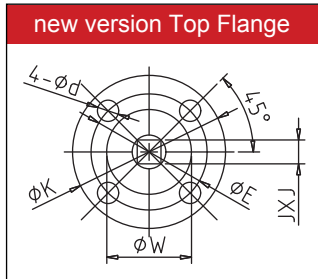
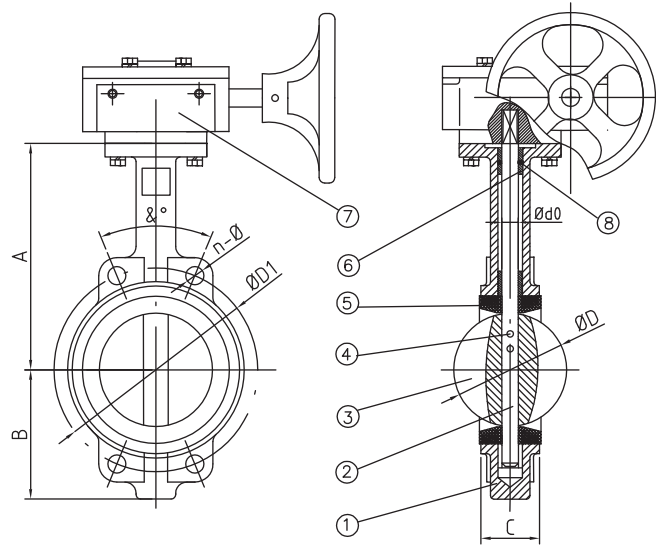


BUTTERFLY VALVE (GEAR)

Type 202, Wafer Type



Torque Value

(Unit: N.M)

| Size | WORKING PRESSURE | |
|-------|------------------|--------|
| | 1.0MPa | 1.6MPa |
| DN150 | 162.5 | 175 |
| DN200 | 287.5 | 332.5 |
| DN250 | 487.5 | 505 |
| DN300 | 712.5 | 821.25 |

(Already included Safety Factor: 1.25)

Material

| No. | Part Name | Materials | Qty |
|-----|-----------|---|-----|
| 1 | Body | A126 CL.B with Ral 5017 blue epoxy painting | 1 |
| 2 | Stem | SS316 | 1 |
| 3 | Disc | CF8M | 1 |
| 4 | Pin | Stainless Steel | 2 |
| 5 | Seat | EPDM/VITON | 1 |
| 6 | Bushing | P.T.F.E. | 4 |
| 7 | Gear | Cast iron with black painting | 1 |
| 8 | O-Ring | NBR | 1 |

Dimensions

| Size | A | B | C | D | d0 | L | 4-Ø | D1 | &° | ØK | ØE | ØW | 4-Ød | F | JxJ | ISO 5211 |
|-------|-----|-----|----|-------|-------|----|--|----|----|-----|-----|----|------|----|-------|----------|
| DN150 | 226 | 139 | 56 | 155.6 | 18.92 | 30 | BODY FLANGE ACCORDING TO PN10/ PN16/ ANSI 150 / JIS 10K | | | 90 | 70 | 55 | 4-10 | 14 | 14x14 | F 07 |
| DN200 | 260 | 175 | 60 | 202.5 | 22.1 | 40 | | | | 125 | 102 | 70 | 4-12 | 17 | 17x17 | F 10 |
| DN250 | 292 | 203 | 68 | 250.5 | 28.45 | 40 | | | | 125 | 102 | 70 | 4-12 | 22 | 22x22 | F 10 |
| DN300 | 337 | 242 | 78 | 301.6 | 31.6 | 40 | | | | 125 | 102 | 70 | 4-12 | 24 | 22x22 | F 10 |

