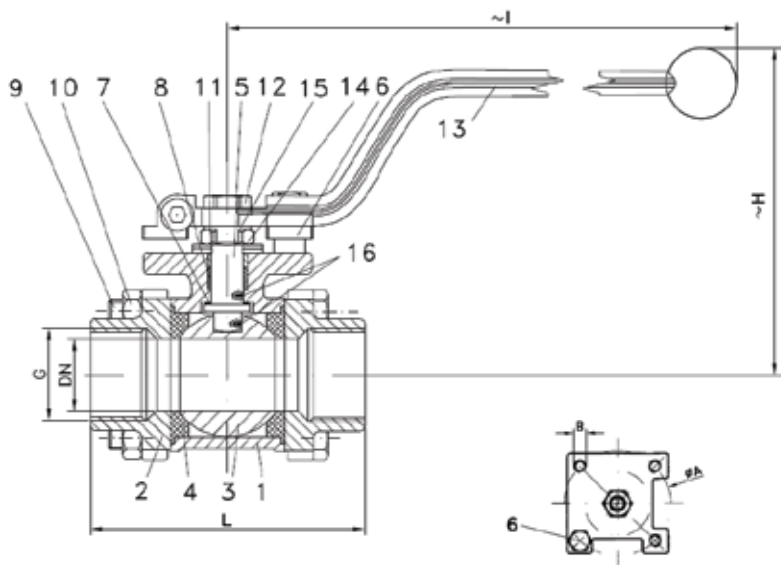


### Three-piece ball valve, threaded ends.

1/4" - 4", PN63/100  
 casting lever



**Ball valve with threaded ends acc. to EN 10226-1 / EN ISO 228-1 full bore**

**face to face acc. to DIN 3202-M3**

Specification:

Three-piece ball valve, threaded ends acc. to EN 10226-1 / EN ISO 228-1, face to face dimensions acc. to DIN 3202-M3, full bore, blow-out-proof stem, body material stainless steel (1.4408) or steel (1.0619), antistatic device, free of non ferrous metals, seat KFG, stem packing KF, disc spring loaded adjustable, top flange DIN EN ISO 5211, approved by PED, certified acc. to GERMAN clean air act VDI 2440, with lever.

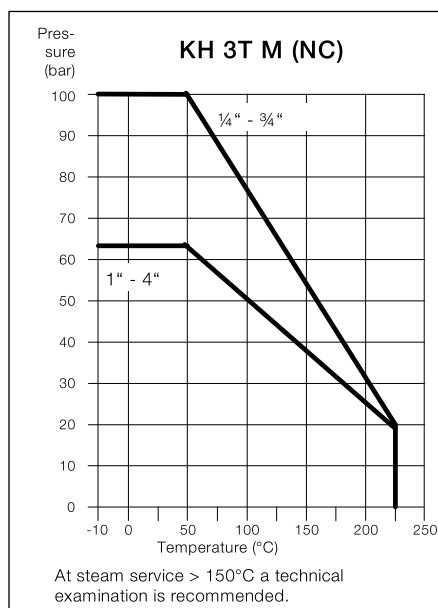
Marking: RK-Proball

Types: KH 3T M (NC)-1.0619

KH 3T M (NC)-1.4408

Ball valves RK-Proball KH 3T all sizes are also available with pneumatical, electrical or hydraulic actuators.

No.	Part	Material	Material
1	body	1.0619	1.4408
2	cap	1.0619	1.4408
3	ball	1.4408	
4	seat	KFG	
5	stem	1.4401	
6	stop pin	1.4301	
7	washer	KFG	
8	stem packing	KF	
9	hex. screw	A2-70	
10	hex. nut	A2-70	
11	thrust washer	1.4301	
12	hex. nut	A2-70	
13	lever	1.4301	
14	plate spring	1.4310	
15	locking plate	1.4301	
16	antistatic element	1.4401	



**Ordering example:**

**KH 3T M (NC), 2", PN 63, 1.4408**

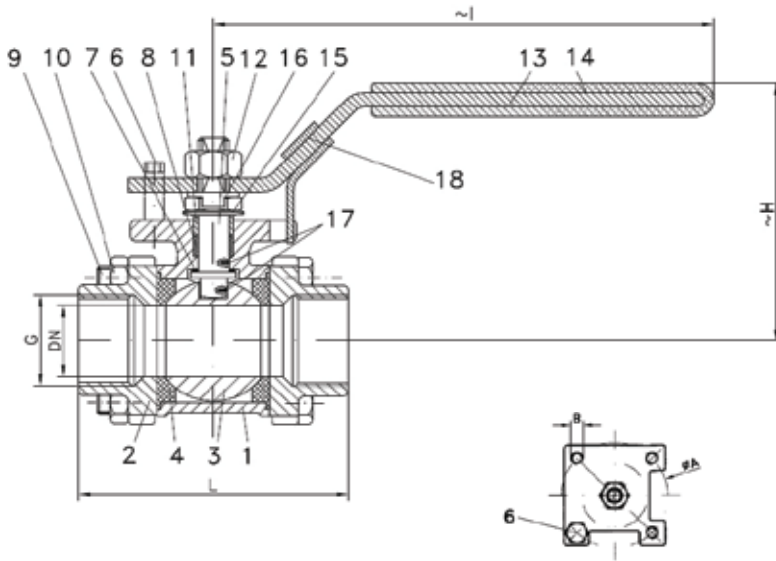
### Dimensions

DN mm	G inch	PN	dimensions (mm)			top flange ISO 5211		Kv-value m <sup>3</sup> /h	torque Nm	weight kg	
			H	I	L	Ø A	B				
10.6	1/4	100	72	154	50	F03	36	M5	6	3	0.5
12.7	3/8	100	72	154	60	F03	36	M5	7	3	0.5
15	1/2	100	86	169	75	F04	42	M5	10	5	0.7
20	3/4	100	93	169	80	F04	42	M5	25	10	0.9
25	1	63	105	222	90	F05	50	M6	35	11	1.3
32	1 1/4	63	110	222	110	F05	50	M6	46	20	2.2
38	1 1/2	63	124	222	120	F05	50	M6	80	26	2.8
49	2	63	146	304	140	F07	70	M8	110	30	4.4
65	2 1/2	63	170	304	185	F07	70	M8	310	70	9.8
80	3	63	176	354	205	F10	102	M10	360	90	14.8
100	4	63	207	354	240	F10	102	M10	820	120	25.4

\*last updated 08/23

### Three-piece ball valve, threaded ends.

### 1/4" - 4", PN63/100 safety spring locking device



**Ball valve with threaded ends acc. to EN 10226-1 / EN ISO 228-1**

**full bore**

**face to face acc. to DIN 3202-M3**

Specification:

Three-piece ball valve, threaded ends acc. to EN 10226-1 / EN ISO 228-1, face to face dimensions acc. to DIN 3202-M3, full bore, blow-out-proof stem, body material stainless steel (1.4408) or steel (1.0619), antistatic device, free of non ferrous metals, seat KFG, stem packing KF, disc spring loaded adjustable, top flange DIN EN ISO 5211, approved by PED, certified acc. to GERMAN clean air act VDI 2440, lever with safety spring locking device.

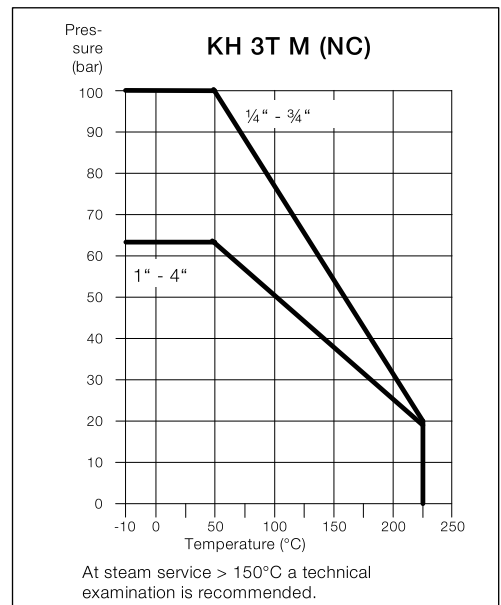
Marking: RK-Proball

Types: KH 3T M (NC)-1.0619

KH 3T M (NC)-1.4408

Ball valves RK-Proball KH 3T all sizes are also available with pneumatical, electrical or hydraulic actuators.

No.	Part	Material	Material
1	body	1.0619	1.4408
2	cap	1.0619	1.4408
3	ball	1.4408	
4	seat	KFG	
5	stem	1.4401	
6	stop pin	1.4301	
7	washer	KFG	
8	stem packing	KF	
9	hex. nut	A2-70	
10	hex. screw	A2-70	
11	thrust washer	1.4301	
12	hex. nut	A2-70	
13	lever	1.4301	
14	insulation cover	Vinyl	
15	plate spring	1.4310	
16	locking plate	1.4301	
17	antistatic element	1.4401	
18	spring locking device	1.4301	



**Ordering example:**

**KH 3T M (NC), 2", PN 63, 1.4408, safety spring locking device**

#### Dimensions

DN mm	G inch	PN	dimensions (mm)			top flange ISO 5211		Kv-value m <sup>3</sup> /h	torque Nm	weight kg	
			H	I	L	Ø A	B				
10.6	1/4	100	63	118	50	F03	36	M5	6	3	0.5
12.7	3/8	100	63	118	60	F03	36	M5	7	3	0.5
15	1/2	100	67	135	75	F04	42	M5	10	5	0.7
20	3/4	100	73	135	80	F04	42	M5	25	10	0.9
25	1	63	80	168	90	F05	50	M6	35	11	1.3
32	1 1/4	63	87	168	110	F05	50	M6	46	20	2.2
38	1 1/2	63	103	205	120	F05	50	M6	80	26	2.8
49	2	63	112	218	140	F07	70	M8	110	30	4.4
65	2 1/2	63	156	280	185	F07	70	M8	310	70	9.8
80	3	63	163	376	205	F10	102	M10	360	90	14.8
100	4	63	194	376	240	F10	102	M10	820	120	25.4

\*last updated 08/23