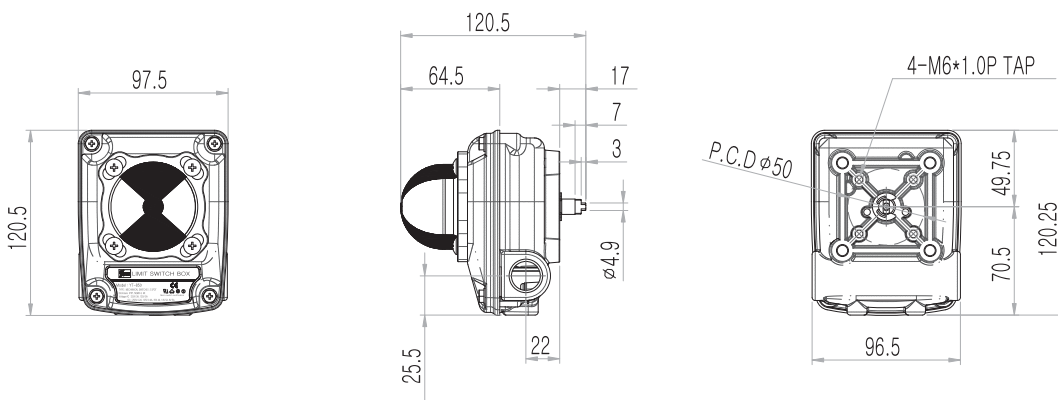


Product Number: YT-850 (specify your requirement)

Model	Switching Type	Connection Type	Bracket Type
YT-850	<input checked="" type="checkbox"/> Mechanical Type	<input checked="" type="checkbox"/> 1 NPT1/2	<input checked="" type="checkbox"/> 1 ST-1 (30*80,H20)
	<input type="checkbox"/> Proximity Type	<input type="checkbox"/> 2 PT1/2	<input type="checkbox"/> 2 ST-2 (30*80,H30)
		<input type="checkbox"/> 3 PF1/2	<input type="checkbox"/> 3 ST-3 (30*130,H30)
		<input type="checkbox"/> 4 M20	<input type="checkbox"/> 4 ST-4 (30*130,H50)



Item.Type	YT-850M	YT-850P
Switch Type	Mechanical Switch x 2	Proximity Sensor x 2
Switch Rating	AC:250V 3A, 125V 5A DC:250V 0.2A, 125V 0.4A, 30V 4A	12-24V DC (Operating voltage: 10-30V DC)
Enclosure Protection	IP67	
Ambient Temp.	-20 °C-80°C	
Conduit Entry	NPT1/2 (PT1/2,PF1/2,M20PG13.5)	
Terminal	8 Points	
Mounting Bracket	NUMBER VDI / VDE 3845, ISO 5211	
Material	Aluminum Diecasting	
Weight	880kg(1.94b)	



- Visual position indicator
- Easy adjustment of cam position
- 6 contacts of terminal ports
- Dual 1/2" conduit entries
- Compatibility with any rotary motion actuator <ISO5211>

*last updated 06/16