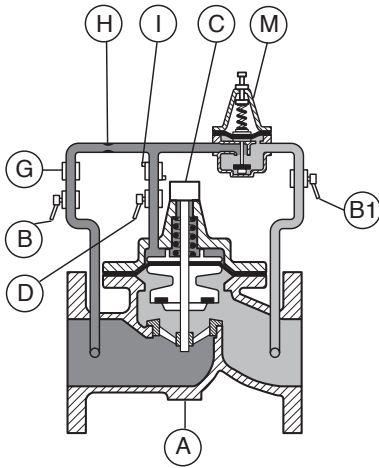


Applications and general characteristics

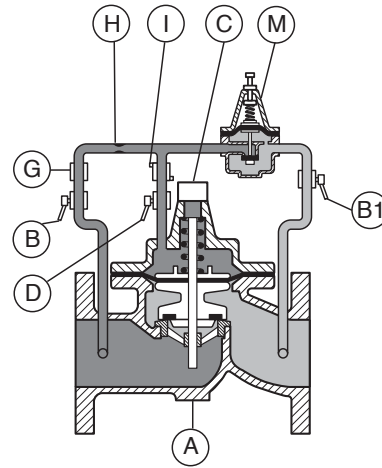
NB : Additional information is available on the data sheet listed as «Main valve».

- This valve controls and maintains a preset reduced downstream pressure regardless of variations in demand and upstream pressure (the setting of downstream pressure is always below the upstream pressure).
- This valve reduces the pressure in networks of water distribution, irrigation or pump outlet.
- Equipped with check valves, it closes automatically in case of backflow (CL101C).

Working principal



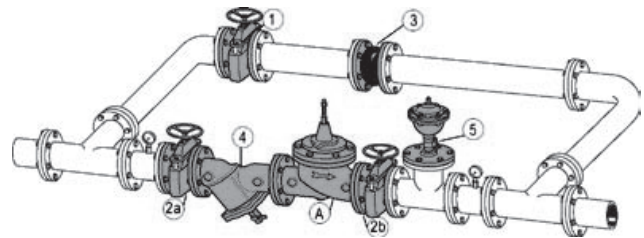
When the pilot M opens, pressure in the upper chamber is released and the valve A opens, reproducing the movement of the pilot.



When the pilot M closes, pressure in the upper chamber rises also and forces the membrane to close the main valve A which reproduces the movement of the pilot.

Installation example and spare parts list

No	Description	Material
A	Main valve	Cast iron
B	Upstream isolation valve	Nickel plated brass
B1	Downstream isolation valve	Nickel plated brass
C	Drain cock	Brass
D	Isolation valve	Nickel plated brass
G	Strainer	Brass
H	Orifice	Stainless steel
I	Flow control	Brass
J	Check valve (type CL101C)	Brass
M	Pilote valve	Stainless steel



No	Description
1	Isolation valve of the by-pass
2a - 2b	Isolation valves of the main water pipe
3	Rubber expansion joints
4	Filter

*last updated 03/16