

ABO (80mm~200mm)



APPLICATIONS

- Drainage of sewage with solid in the city building
- Miscellaneous drainage and kitchen drainage
- Sewage management, accumulated water, septic tank, livestock farm
- Dewatering of waste water from the attenuation tank purifying tank and sewage tank in water treatment plant
- Drainage of other sewage with solid

FEATURES

- International standard design: VCT cable, autcut, dry motor, silicon carbide mechanical seal, high grade cast iron offering highest quality and performance.
- Superior abrasion resistant mechanical seals made of silicon carbide to ensure the best seal effect.
- Oil seal mounted outside of seal chamber prevents solids build-up around seal surface.
- Compatible with Guide Rail System, which allows convenient remote installation and replacement of the pump without the need to enter the pit.

AUTO CUT

Equipped with an automatically reset motor protector, which prevents the motor from burning due to high temperature / high ampere and / or locked impeller.

MTP-Motor Thermal Protector

A Motor Thermal Protector is embedded in the windings of the motor. The MTP will transmit a signal to a control panel when windings temperature reaches preset threshold.

IMPELLER

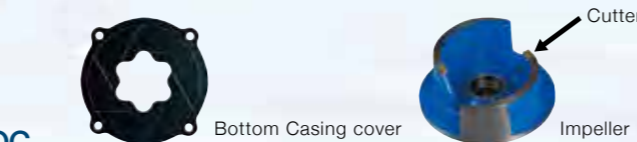
- * ABO, ABOC Semi open impeller enable cutting of delicate materials to prevent clogging.
- * ABOG Enclosed channel non clog impeller, allows large passage preventing clogging and allows effective drainage / dewatering for higher head applications with solids laden media.

SPECIFICATION

Type	ABOH	ABOC	ABO(E)	ABOG	
Disc.diameter(mm)	80 · 100	80	100 · 150 · 200	150	
Pumping liquid	Liquid temp 0~40°C				
Liquid nature	Waste water and sewage		Industrial waste water and sewage		
Max.depth	30M				
Pump Structure	Impeller	Semi-open	Semi-open	Enclosed	
	Mech. seal	Double mechanical seals			
	Bearing	Ball type bearing			
	Upper cover	FC200			
	Material	Impeller	FC200	Heat Treated FC200	FC200
		Cutter	N.A.	Tungsten Blade	N.A.
		Agitator	N.A.	N.A.	Heat Treated FCD700
Casing		FC200			
Mech. seal	SIC/SIC				
Motor	Type	Dry type			
	Insulation	B class (F Class ≥ 3.7kW)			
	Frequency. Pole	50Hz · 4P	50Hz · 2P	50Hz · 4P	
	Protector	Auto-cut(≤7.5kW), Motor thermal protector & WD(≥11kW)			
	Material	Frame	FC200		
Main Shaft		SUS403	SUS403	SUS403(≤ 3.7kW) SUS420J2(≥5.5kW)	
Cable		VCT / HVCT (≥7.5kW)			
Optional	Auto setter Water detector(except 150ABOE-511, 200ABO-511, 200ABO-515 are standard) Float switch (ABO ≤ 1.5kW and ABOC)				

ABOC

- * ABOC equipped with a 2 pole motor, heat treated of bottom casing cover and impeller.
- * Cutter with tungsten cutting foreign particles effectively and preventing clog by solid media which allow larger solid passage.



AGITATOR

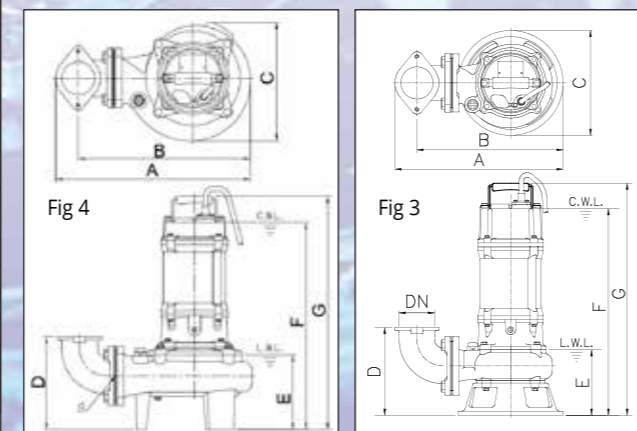
ABOG Equipped with a ductile iron agitator to create powerful turbulence to carry away slurry.



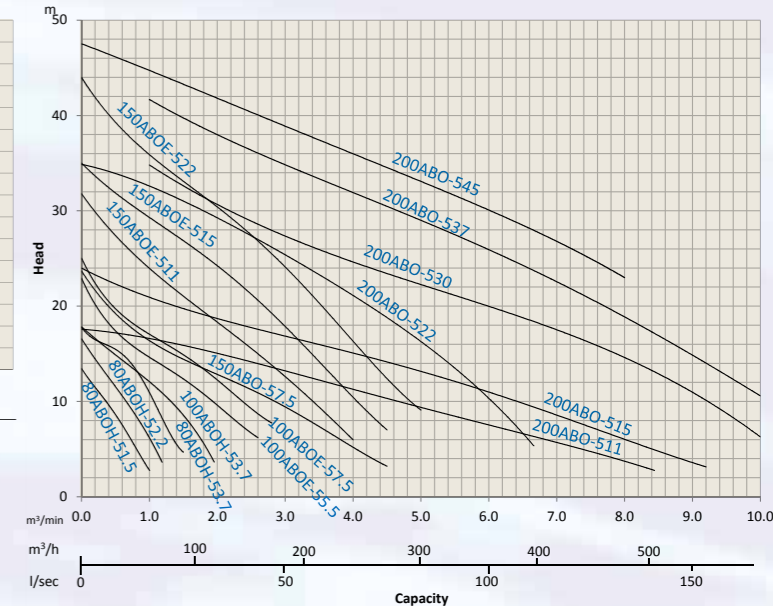
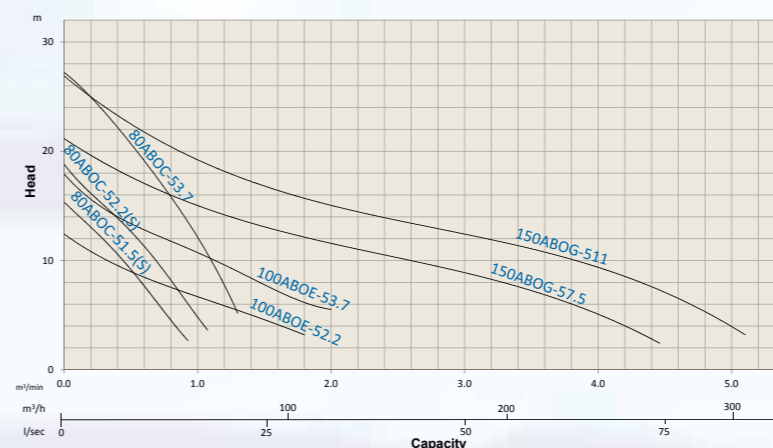
WD WATER DETECTOR

- * Pumps when equipped with this device in the mechanical seal chamber to detect any water intrusion or infiltration.

* The device will send a warning signal to the control panel to prevent motor failure induced by water ingress and save maintenance cost.

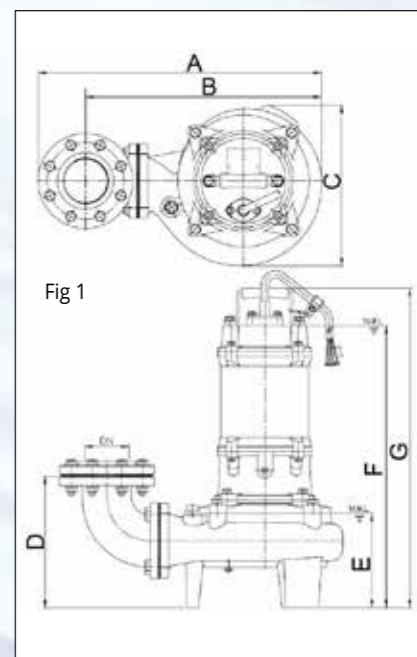


SELECTION CHART



PERFORMANCE SPECIFICATION

Pole P	Impeller Type	Dis. mm	Output kW	Phase φ	Start Method	Model	Capacity m³/min	Head m	Solid passage mm	Weight kg
4	Semi-open	80	1.5	3	Direct	80ABOH-51.5	0.5	8	50	47
			2.2	3	Direct	80ABOH-52.2	0.6	10	50	58
			3.7	3	Direct	80ABOH-53.7	0.6	14.5	50	67
		100	3.7	3	Direct	100ABOH-53.7	1	11.5	50	67
			2.2	3	Direct	80ABOE-52.2	0.8	7	76	60
			3.7	3	Direct	80ABOE-53.7	0.8	11	76	71
	En-closed channel Non-clog	80	2.2	3	Direct	100ABOE-52.2	1	6.5	76	60
			3.7	3	Direct	100ABOE-53.7	1	10.5	76	71
			5.5	3	Direct	100ABOE-55.5	1	14	76	110
		150	7.5	3	Direct	100ABOE-57.5	1	17	76	120
			7.5	3	Direct	150ABO-57.5	2.5	11	70	183
			7.5	3	Direct	150ABOG-57.5	2.5	10.5	50	177
	Semi-Open	150	11	3	Y-Δ	150ABOE-511	2.5	15.5	76	164
			15	3	Y-Δ	150ABOG-511	2.5	14.5	50	217
			15	3	Y-Δ	150ABOE-515	2.5	21	76	176
		200	22	3	Y-Δ	150ABOE-522	2.5	27.5	76	229
			11	3	Y-Δ	200ABO-511	4.5	10	75	221
			15	3	Y-Δ	200ABO-515	4.5	14	75	234
Semi-Open	200	22	3	Y-Δ	200ABO-522	4.5	18	76	220	
		30	3	Y-Δ	200ABO-530	4.5	24	70	355	
		37	3	Y-Δ	200ABO-537	4.5	29	60	418	
Semi-Open with Cutter	80	1.5	1	Capacitor	80ABOC-51.5S	0.6	7.5	62	37	
		3	3	Direct	80ABOC-51.5	0.6	7.5	62	33	
		2.2	1	Capacitor	80ABOC-52.2S	0.6	11	62	40	
		80	3	3	Direct	80ABOC-52.2	0.6	11	62	35
			3.7	3	Direct	80ABOC-53.7	0.6	19	62	48



DIMENSIONS

MODEL	Fig	DN	A	B	C	D	E	F	G	CABLE LENGTH
80ABOH-51.5S	4	80	474	420	288	226	182	582	645	8000
80ABOH-51.5	4	80	474	420	288	226	182	504	567	8000
80ABOH-52.2	4	80	550	456	313	251	184	529	603	8000
80(100)ABOH-53.7	1	80/100	550/581	456/471	313	251/263	184	569	643	8000
80(100)ABOE-52.2	1	80/100	521/551	426/441	287	294/305	241	586	660	8000
80(100)ABOE-53.7	1	80/100	539/569	444/459	304	294/305	241	626	700	8000
100(150)ABOE-55.5	1	100/150	653/713	543/573	374	328/358	276	687	786	8000
100(150)ABOE-57.5	1	100/150	653/713	543/573	374	328/358	276	727	826	10000
150ABO-57.5	2	150	850	710	450	450	367	764	871	10000
100(150)ABOE-511	1	100/150	743/803	633/663	447	341/371	286	793	918	10000
100(150)ABOE-515	1	100/150	743/803	633/663	447	341/371	286	793	918	10000
100(150)ABOE-522	1	100/150	778/838	668/698	476	352/382	297	834	979	10000
150ABOG-57.5	2	150	850	710	476	450	367	764	871	10000
150ABOG-511	2	150	850	710	476	450	367	885	989	10000
200ABO-511/515	2	200	950	785	501	483	372	890	988	10000
200ABO-522	1	200	932	767	512	415	285	951	1001	10000
200ABO-530	2	200	937	772	520	483	620	1080	1284	10000
200ABO-537/545	2	200	937	772	520	483	620	1165	1434	10000
80ABOC-51.5S/52.2S	2	80	417	363	260	218	163	513/540	576/603	8000
80ABOC-51.5/52.2	2	80	417	363	260	218	163	458	521	8000
80ABOC-53.7	2	80	498	403	290	250	176	510	578	8000