

# POSITIONER

Model No.MEP-10L SN111S0



MEP-10L electro-pneumatic positioner delivers fast and accurate positioner used and general purpose.

Long life service assured by robust and simple design, delivering maximum reliability in all environments while maintaining precise, accurate positioning of the control element.

- Use mechanical nozzle baffle structure
- High vibration resistance - no resonance between 5 to 200 Hz.
- Direct and reverse acting, single and double acting are interchangeable.
- Robust, simple and low maintenance design.
- 1 1/2 Split-range control can be achieved by changing the stroke spring.

Model No.	MEP-10L	
Input signal	4~20mA DC	
Supply pressure	0.14~0.7MPa	
Pressure output	0~0.7MPa	
Stroke	10~150mm	
Impedance	250Ω±15Ω	
Air connection	NPT1/4, G1/4	
Gauge connection	NPT1/8	
Power connection	G1/2, NPT1/2, M20*1.5	
Repeatability	±0.5%F.S.	
Ambient temp.	Normal temp.	-20~60°C
	High temp.	-20~120°C
	Low temp.	-40~60°C
Linearity	±1.0%F.S.(Single) ; ±2.0%F.S.(Double)	
Hysteresis	±1.0%F.S.	
Sensitivity	±0.5%F.S.	
Flow rate	80L/min(@1.4bar)	
Air consumption	2.5L/min(@1.4bar)	
Output characteristics	Linear (default)	
Shell material	Aluminum	
Ingress protection	IP66	
Explosion-proof	ExialICT6/ExdmbIICT6	
Weight	2.7kg	

	1.	2.	3.	4.	5.	6.	7.	-	8.
MEP-10L	S	N	1	3	2	S	1	-	SZ

### Acting type

Single — S  
Double — D

### Explosion-proof

Non-explosion — N  
ExialICT6 — I  
ExdmbIICT6 — M

### Feedback lever type

10~40mm — 1  
30~70mm — 2  
50~100mm — 3  
100~150mm — 4

### Power connection

G1/2 — 1  
NPT1/2 — 2  
M20\*1.5 — 3

### Air connection

NPT1/4 — 1  
G1/4 — 2

### Ambient temperature<sup>[1]</sup>

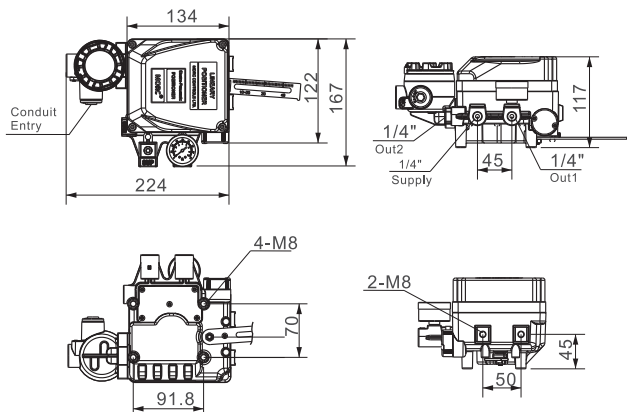
-20~60°C — S  
-20~120°C — H  
-40~60°C — L

### Feedback Options

None — 0  
+PTM — 1

### Special Order Code

□□□



[1]: H Only available for Non-explosion and no feedback.

