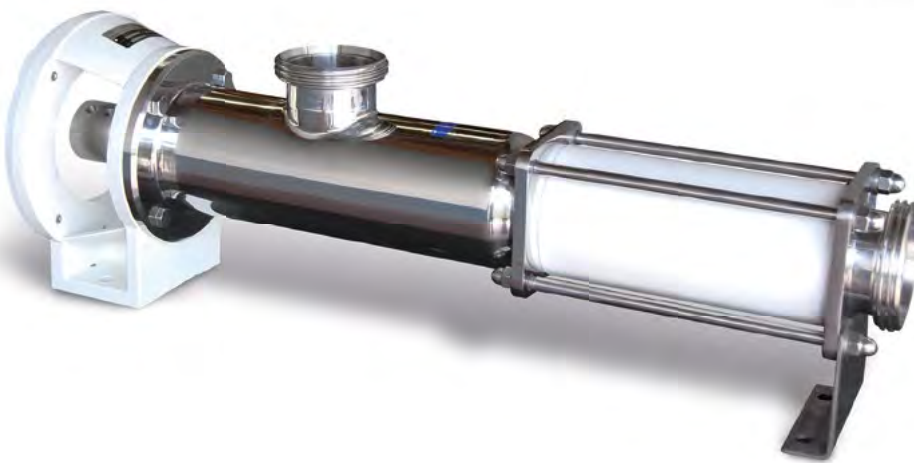


FL--ERB

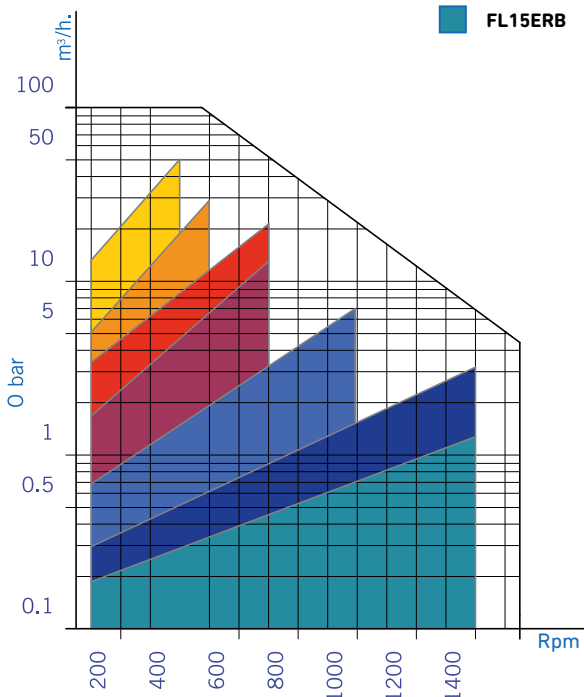
Stainless steel screw pump



MONOBLOC



SELECTION ZONES



APPLICATIONS

The screw pumps FL--ERBS have been designed for pumping products that require careful treatment like wine, must, oil, juice, chemical products, etc.

CHARACTERISTICS

DIN 11851 connections
 Level of finish: Sanitary
 Monobloc / free shaft assembly
 1 - 2 - 3 - 4 stages (up to 24 bar)

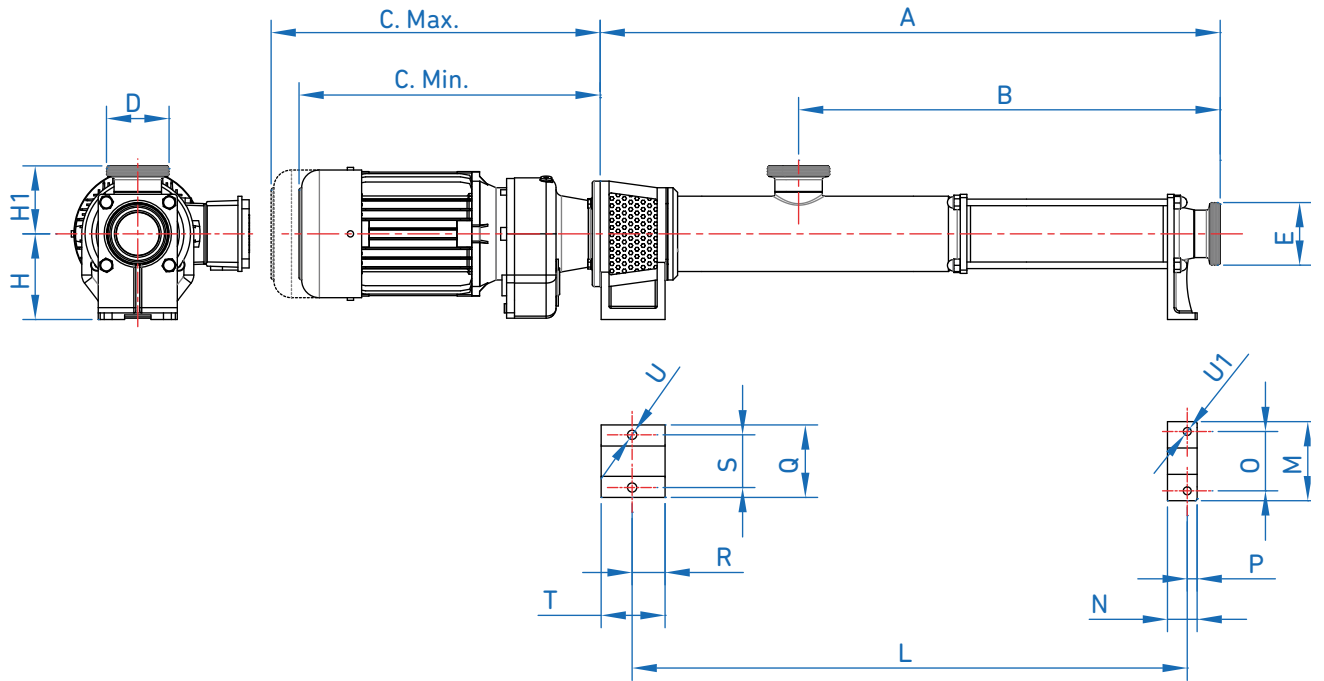
MATERIALS

Metal parts in contact with the product in SS AISI 316
 White Perbunan stator and EPDM gaskets
 Mechanical seal C/C/N

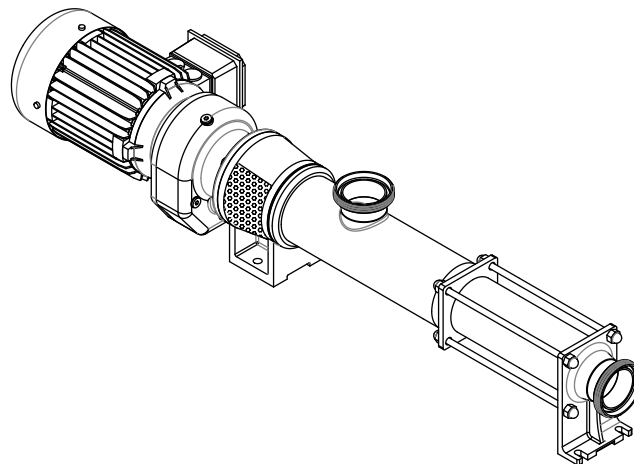
OPTIONS

Other connections: BSP, SMS, FIL, CLAMP, FLANGE, RJT, etc.
 Mechanical variator
 Frequency converter
 Liquid presence / Thermal probes
 Control panel
 Mechanical seal S/S/V
 Stator in other rubbers: Viton / Silicon / EPDM / Nitrile / Hypalon, etc.
 Trolley, platform

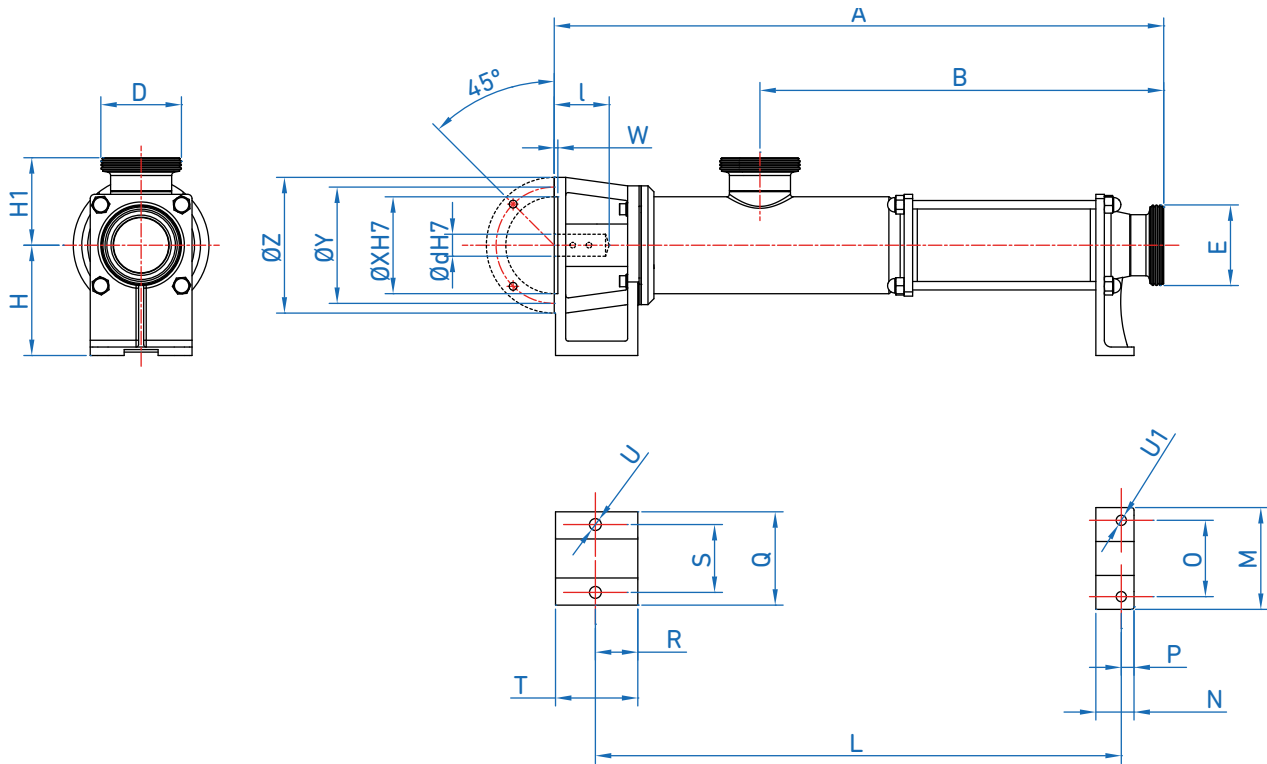
DIMENSIONS OF FL--ERB AND FL--ERB2 MODELS



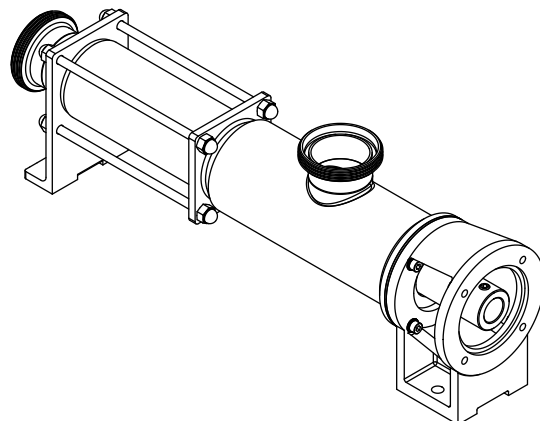
MODEL	A	B	C.Min	C.Max	D/E	H	H1	L	M	N	O	P	Q	R	S	T	U	U1
FL15ERB	377	247	301	385	DN25	102	90	307	80	40	63	15	70	20	53	50	Ø9	Ø9
FL20ERB	412	283	301	385	DN32	102	77.5	339	80	40	63	15	70	20	53	50	Ø9	Ø9
FL30ERB	611	401	319	433	DN50	125	85	516	105	45	75	15	110	50	80	100	Ø14	Ø12
FL40ERB	716	476	382	477	DN65	130	105	616	120	45	90	15	110	50	80	100	Ø14	Ø12
FL50ERB	860	565	380	475	DN80	155	110	740	140	50	100	20	150	60	110	115	Ø18	Ø14
FL60ERB	1151	781	446	581	DN100	175	130	1032	160	60	120	20	150	60	110	115	Ø18	Ø14
FL80ERB	1269	899	446	581	DN100	175	145	1158	180	60	140	20	150	60	110	115	Ø18	Ø14
FL15ERB2	457	327	301	385	DN25	102	90	387	80	40	63	15	70	20	53	50	Ø9	Ø9
FL20ERB2	513	384	301	385	DN32	102	77.5	408	80	40	63	15	70	20	53	50	Ø9	Ø9
FL30ERB2	762	552	319	433	DN50	125	85	667	105	45	75	15	110	50	80	100	Ø14	Ø12
FL40ERB2	916	676	382	477	DN65	130	105	816	120	45	90	15	110	50	80	100	Ø14	Ø12
FL50ERB2	1102	807	380	475	DN80	155	110	982	140	50	100	20	150	60	110	115	Ø18	Ø14
FL60ERB2	1451	1081	446	581	DN100	175	130	1382	160	60	120	20	150	60	110	115	Ø18	Ø14
FL80ERB2	1686	1316	446	581	DN100	175	145	1575	180	60	140	20	150	60	110	115	Ø18	Ø14



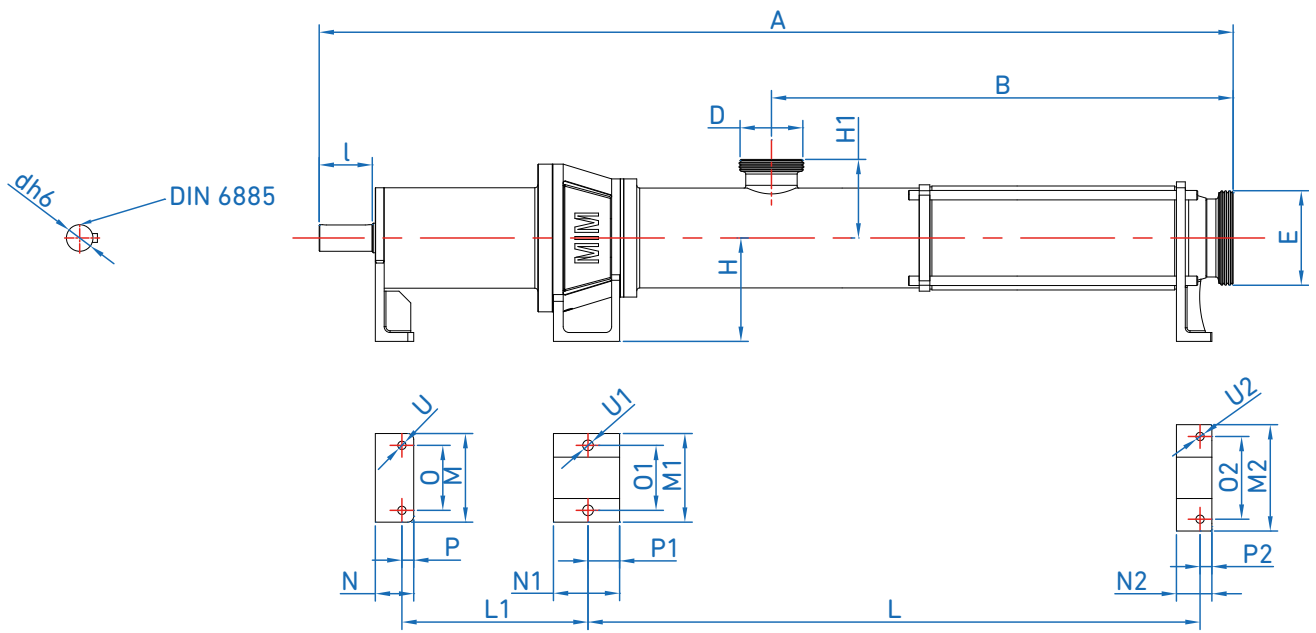
DIMENSIONS OF MONOBLOC FL--ERB AND FL--ERB2 MODELS



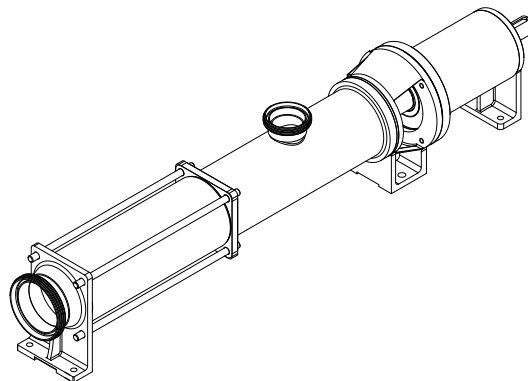
MODEL	A	B	D/E	H	H1	L	M	N	O	P	U	U1	Q	S	T
FL15Monobloc	377	247	DN25	102	90	307	80	40	63	15	Ø9	Ø9	70	53	50
FL20Monobloc	412	283	DN32	102	77,5	339	80	40	63	15	Ø9	Ø9	70	53	50
FL30Monobloc	611	401	DN50	125	85	516	105	45	75	15	Ø14	Ø12	110	80	100
FL40Monobloc	716	476	DN65	130	105	616	120	45	90	15	Ø14	Ø12	110	80	100
FL50Monobloc	860	565	DN80	155	110	740	140	50	100	20	Ø18	Ø14	150	110	115
FL60Monobloc	1151	781	DN100	175	130	1032	160	60	120	20	Ø18	Ø14	150	110	115
FL80Monobloc	1269	899	DN100	175	145	1158	180	60	140	20	Ø18	Ø14	150	110	115
FL15Monobloc2	457	327	DN25	102	90	387	80	40	63	15	Ø9	Ø9	70	53	50
FL20Monobloc2	513	384	DN32	102	77,5	408	80	40	63	15	Ø9	Ø9	70	53	50
FL30Monobloc2	762	552	DN50	125	85	667	105	45	75	15	Ø14	Ø12	110	80	100
FL40Monobloc2	916	676	DN65	130	105	816	120	45	90	15	Ø14	Ø12	110	80	100
FL50Monobloc2	1102	807	DN80	155	110	982	140	50	100	20	Ø18	Ø14	150	110	115
FL60Monobloc2	1451	1081	DN100	175	130	1382	160	60	120	20	Ø18	Ø14	150	110	115
FL80Monobloc2	1686	1316	DN100	175	145	1575	180	60	140	20	Ø18	Ø14	150	110	115



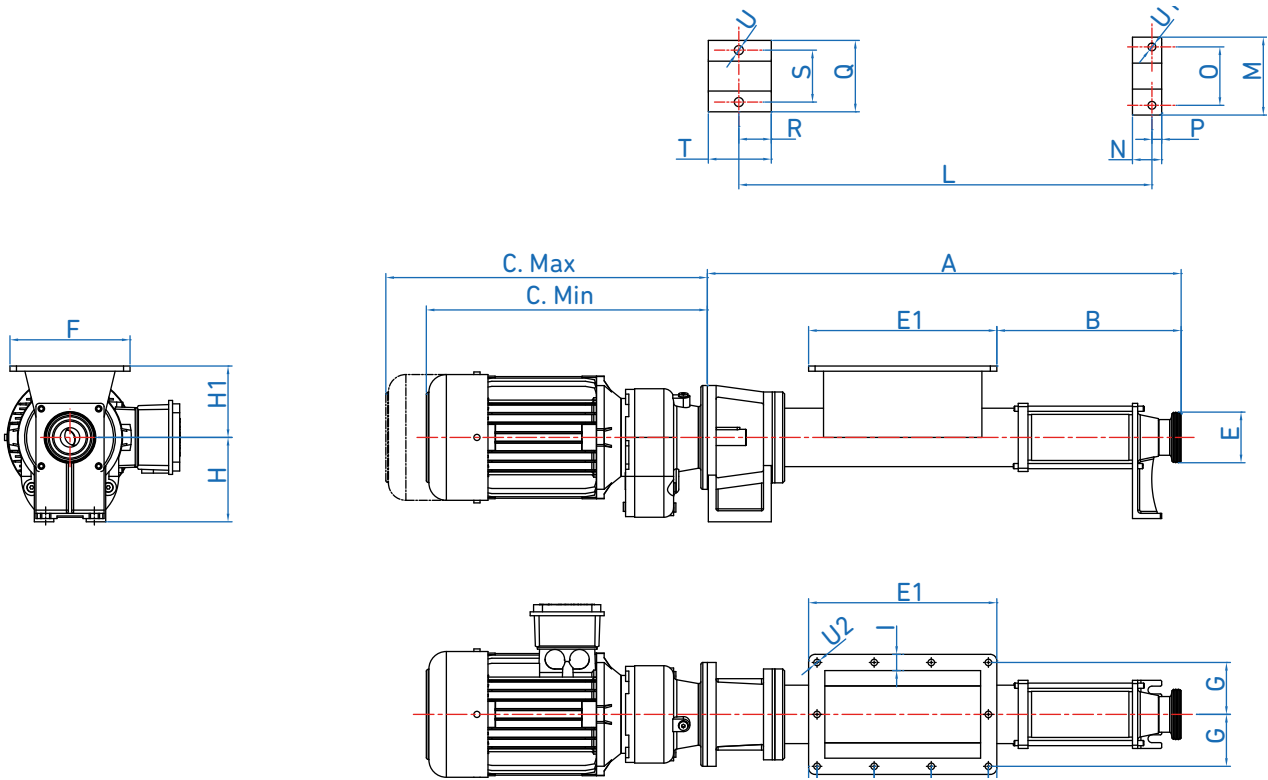
DIMENSIONS OF FL--ERBL AND FL--ERBL2 MODELS



MODEL	A	B	H	H1	L	L1	M	M1	M2	N	N1	N2	D/E	O	O1	O2	P	P1	P2	U	U1	U2	I	d
FL15ERBL	570	247	102	90	307	-	-	70	80	-	50	40	DN25	-	53	63	-	20	15	-	Ø9	Ø9	50	20
FL20ERBL	605	283	102	78	339	-	-	70	80	-	50	40	DN32	-	53	63	-	20	15	-	Ø9	Ø9	50	20
FL30ERBL	829	401	125	85	516	-	-	110	105	-	100	45	DN50	-	80	75	-	50	15	-	Ø14	Ø12	60	25
FL40ERBL	934	476	130	105	616	-	-	110	120	-	100	45	DN65	-	80	90	-	50	15	-	Ø14	Ø12	60	25
FL50ERBL	1181	565	155	110	740	248	150	150	140	65	115	50	DN80	110	110	100	20	60	20	14	Ø18	Ø14	75	35
FL60ERBL	1546	781	175	130	1032	315	150	150	160	65	115	60	DN100	110	110	120	20	60	20	14	Ø18	Ø14	90	45
FL80ERBL	1664	899	175	145	1158	315	150	150	180	65	115	60	DN125	110	110	140	20	60	20	14	Ø18	Ø14	90	45
FL15ERBL2	650	327	102	90	387	-	-	70	80	-	50	40	DN25	-	53	63	-	20	15	-	Ø9	Ø9	50	20
FL20ERBL2	706	384	102	78	408	-	-	70	80	-	50	40	DN32	-	53	63	-	20	15	-	Ø9	Ø9	50	20
FL30ERBL2	980	552	125	85	667	-	-	110	105	-	100	45	DN50	-	80	75	-	50	15	-	Ø14	Ø12	60	25
FL40ERBL2	1134	676	130	105	816	-	-	110	120	-	100	45	DN65	-	80	90	-	50	15	-	Ø14	Ø12	60	25
FL50ERBL2	1423	807	155	110	982	248	150	150	140	65	115	50	DN80	110	110	100	20	60	20	14	Ø18	Ø14	75	35
FL60ERBL2	1846	1081	175	130	1382	315	150	150	160	65	115	60	DN100	110	110	120	20	60	20	14	Ø18	Ø14	90	45
FL80ERBL2	2081	1316	175	145	1575	315	150	150	180	65	115	60	DN125	110	110	140	20	60	20	14	Ø18	Ø14	90	45



DIMENSIONS OF FL--ERBT AND FL--ERBT2 MODELS



MODEL	A	B	C Min.	C Max.	E	E1	F	G	H	H1	I	J	K	L	M	N	O	P	Q	R	S	T	U	U1	U2
FL15ERBT	497	192	301	385	DN25	194	145	60	102	75	25	56	13	427	80	40	63	15	70	20	53	50	Ø9	Ø9	10
FL20ERBT	522	217	301	385	DN32	194	145	60	102	75	25	56	13	449	80	40	63	15	70	20	53	50	Ø9	Ø9	10
FL30ERBT	726	284	319	433	DN50	290	185	80	125	110	25	88	13	631	105	45	75	15	110	50	80	100	Ø14	Ø12	10
FL40ERBT	846	357	382	477	DN65	350	225	99	130	110	30	107	15	746	120	45	90	15	110	50	80	100	Ø14	Ø12	12
FL50ERBT	955	427	380	475	DN80	400	255	112	155	125	32	123	15	835	140	50	100	20	150	60	110	115	Ø18	Ø14	12
FL60ERBT	1225	530	446	581	DN100	500	320	143	175	140	35	155	18	1106	160	60	120	20	150	60	110	115	Ø18	Ø14	12
FL80ERBT	1323	627	446	581	DN100	500	320	143	175	140	35	155	18	1213	180	60	140	20	150	60	110	115	Ø18	Ø14	12
FL15ERBT2	577	252	301	385	DN25	194	145	60	102	75	25	56	13	507	80	40	63	15	70	20	53	50	Ø9	Ø9	10
FL20ERBT2	623	318	301	385	DN32	194	145	60	102	75	25	56	13	550	80	40	63	15	70	20	53	50	Ø9	Ø9	10
FL30ERBT2	877	435	319	433	DN50	290	185	80	125	110	25	88	13	782	105	45	75	15	110	50	80	100	Ø14	Ø12	10
FL40ERBT2	1046	558	382	477	DN65	350	225	99	130	110	30	107	15	947	120	45	90	15	110	50	80	100	Ø14	Ø12	12
FL50ERBT2	1197	669	380	475	DN80	400	255	112	155	125	32	123	15	1077	140	50	100	20	150	60	110	115	Ø18	Ø14	12
FL60ERBT2	1525	830	446	581	DN100	500	320	143	175	140	35	155	18	1406	160	60	120	20	150	60	110	115	Ø18	Ø14	12
FL80ERBT2	1740	1026	446	581	DN100	500	320	143	175	140	35	155	18	1611	180	60	140	20	150	60	110	115	Ø18	Ø14	12

