

**Tank bottom ball valve, floating ball, single side spring loaded seat ring, soft seated.**

**DN80/50 - DN200/150, PN10/16**

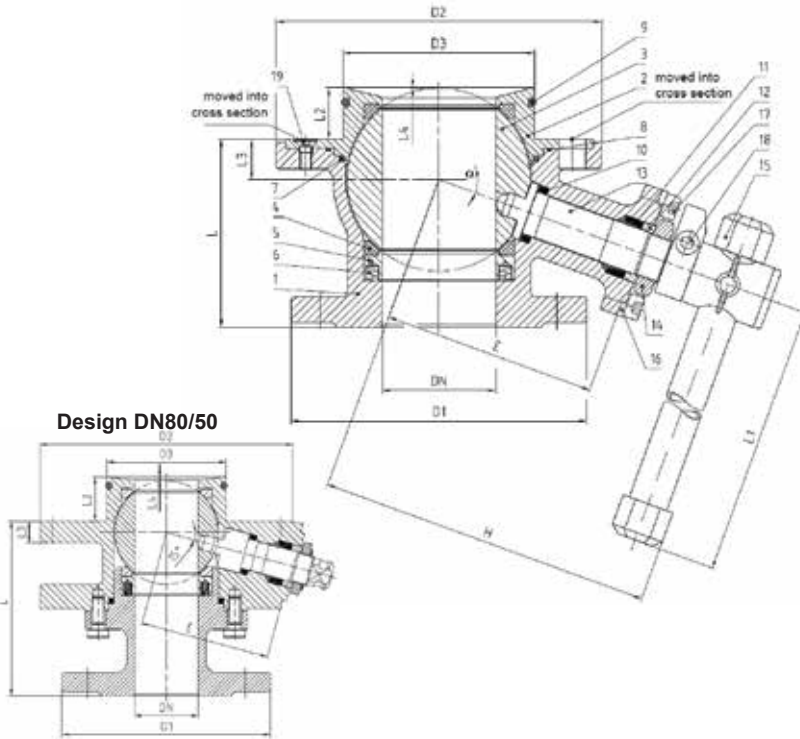
**Tank bottom ball valves with flanges full bore**

**face to face acc. to EN 558, GR. 13 flanges acc. to EN 1092**

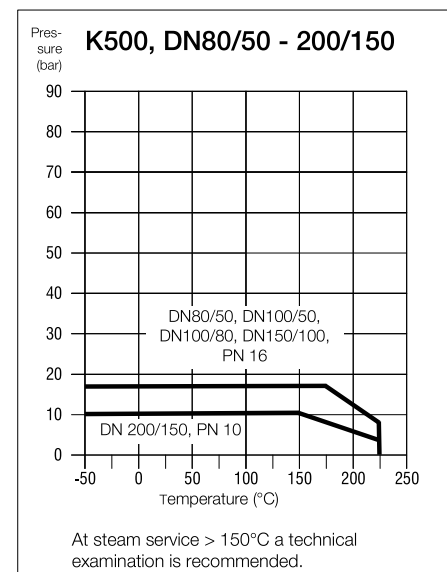
Specification:

Tank bottom ball valve with two-piece body, outlet flange acc. to EN 1092, face to face dimension acc. to EN 558, GR.13, full bore, body material stainless steel (1.4408/1.4571/1.4404), antistatic device, free of non ferrous metals, tank connection acc. to DIN 28140 part 1, single spring loaded seat ring, stem sealing maintenance free, dynamic loaded adjustable, stem is angularly placed and thus a marsh free installation and trouble free automation is possible, top flange DIN EN ISO 5211, approved by PED, certified acc. to GERMAN clean air act VDI 2440, Fire-Safe design, with lever.

Marking: INTEC K500



No.	Part	Material
1	body	1.4408/1.4571/1.4404
2	cap	1.4408/1.4571/1.4404
3	ball	1.4408
4	seat	KFM/KFGN
5	seat bearing ring	1.4571/1.4404
6	spiral spring	1.4401
7	body seal	KF
8	O-ring	Viton
9	O-ring	Viton
10	below seal	KFGN/Graphite
11	upper seal	KFAM/Graphite
12	bearing	PEEK
13	stem	1.4462
14	hex. nut self locking	A2/1.4301
15	lever	1.4408/1.4308
16	stopper	1.4301
17	allen screw	A2-70
18	allen screw	A2-70
19	countersunk screw	A4-70



\* Necessary torque measured with treated water at ΔP acc. to pressure class and room temperature

\*\* Outlet flange Compact design with threaded holes. Also available in flange version, then with length = 138 mm

\*\*\* No FTF standard

### Dimensions

DN mm	PN	dimensions (mm)											top flange ISO	torque Nm*	weight kg
		H	L1	L2	L3	L4	L	E	D1	D2	D3	α			
80/50	16	184.0	300	35	17	3.0	114**	102.5	165	200	94	15°	F07	45	11.8
100/50	16	178.0	300	35	27	29.8	127	118.5	165	220	129	15°	F07	45	16.0
100/80	16	339.0	500	35	27	0.3	127	144.5	200	220	129	20°	F10	90	17.5
150/100	16	368.5	500	40	41	0.5	140	174.0	220	285	179	20°	F10	130	43.0
200/150	10	405.0	700	40	76	1.0	200***	206.0	285	340	233	15°	F12	220	66.0

Ordering example:  
**INTEC K500, DN100/80, PN16, GR.13, 1.4408**

\*last updated 08/23