

## Double Block & Bleed DN 15-40

### GENERAL FEATURES

- » 3-piece ball valve with full bore and drain valve
- » Double-seated ball, antistatic, lockable
- » Optionally only as a double-seated ball valve
- » Double sealing in both bore directions
- » Modular component system

### CONNECTIONS

- » Flange
- » Welding ends
- » Threads

### DIMENSIONS

See previous technical data sheets for face-to-face dimensions

### ACCEPTANCE TESTING

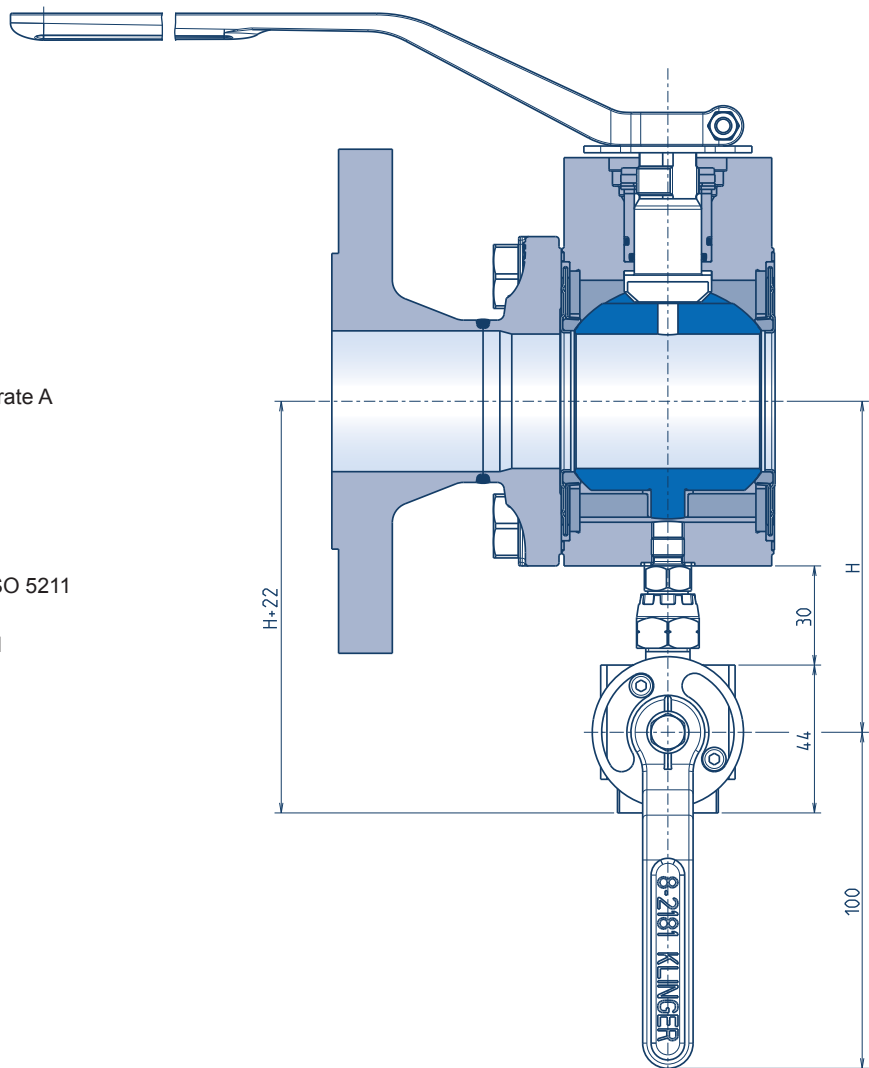
- » Seat tightness: EN 12266-1 P12, Leakage rate A
- » Tightness to atmosphere: EN 12266-1 P11
- » Body strength: EN 12266-1 P10

### AUTOMATION

The flanged connection in accordance with ISO 5211 allows for mounting of an actuator by means of a console. Pneumatic and electrical actuators possible.

### TEMPERATURE

-10 °C to +235 °C (see pT diagram)



DN	H
15	110.0
20	116.7
25	119.0
32	126.5
40	135.5

\*last updated 08/23

## Double Block & Bleed DN 50-125

### GENERAL FEATURES

- » 3-piece ball valve with full bore and drain valve
- » Double-seated ball, antistatic, lockable
- » Optionally only as a double-seated ball valve
- » Double sealing in both bore directions
- » Modular component system

### CONNECTIONS

- » Flange
- » Welding ends
- » Threads

### DIMENSIONS

See previous technical datasheets for face-to-face dimensions

### ACCEPTANCE TESTING

- » Seat tightness: EN 12266-1 P12, Leakage rate A
- » Tightness to atmosphere: EN 12266-1 P11
- » Body strength: EN 12266-1 P10

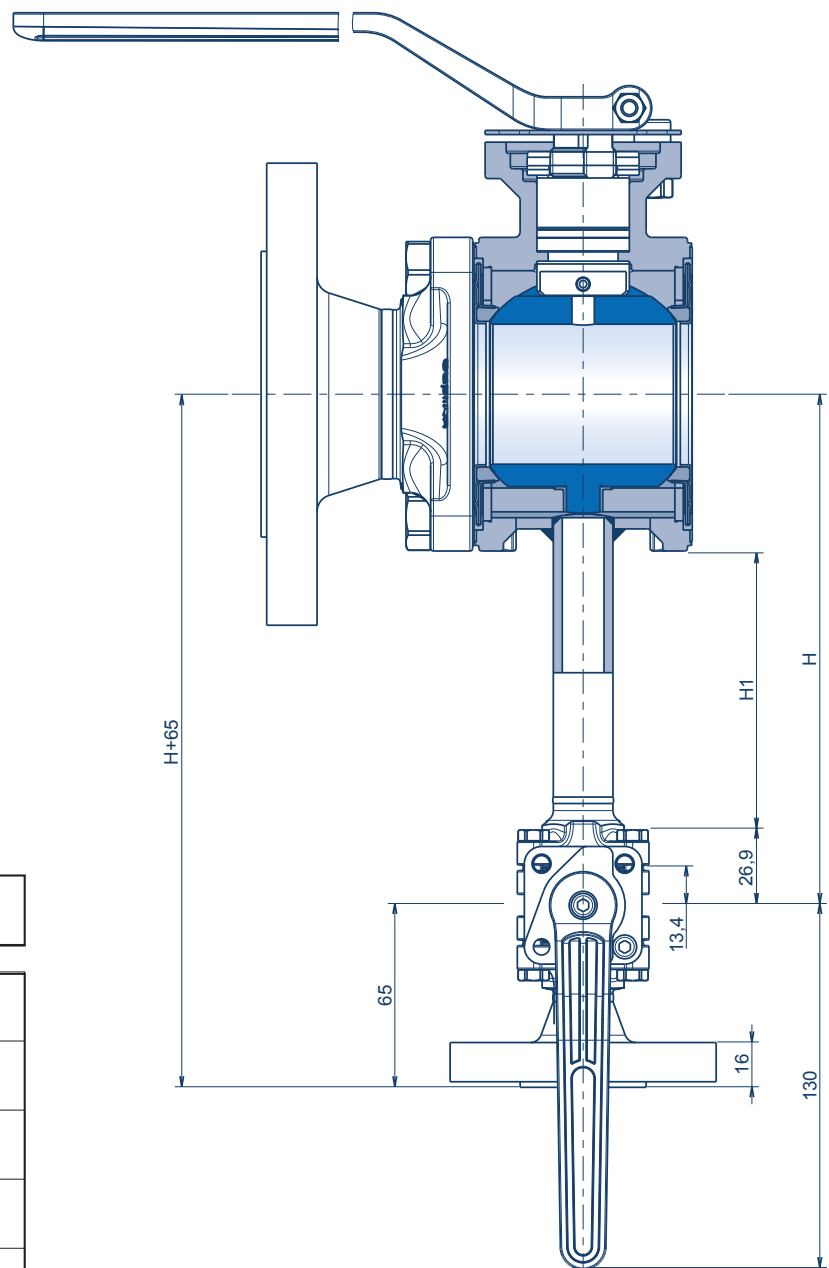
### AUTOMATION

The flanged connection in accordance with ISO 5211 allows for direct mounting of an actuator or by means of a console. Pneumatic and electrical actuators possible.

### TEMPERATURE

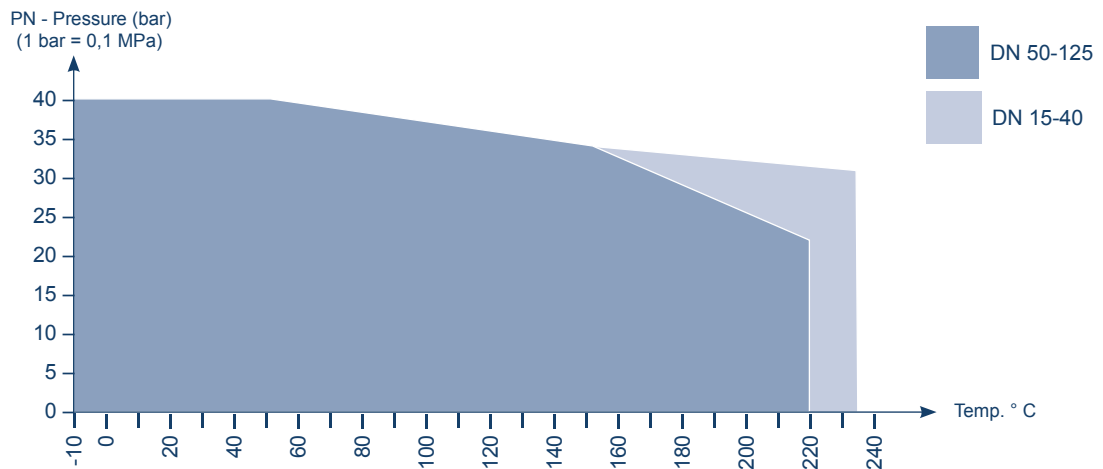
-10 °C to +220 °C (see pT diagram)

DN	H	H1
50	182.5	99.6
65	192.4	95.0
80	204.4	92.5
100	217.4	89.5
125	240.4	81.5



\*last updated 08/23

## Pressure and temperature ranges

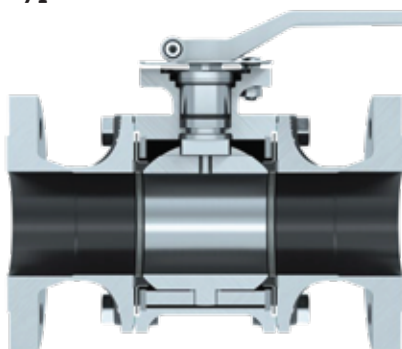


Version DBB+TM - with sealing element KK and stuffing box AF (see table page 6/7)

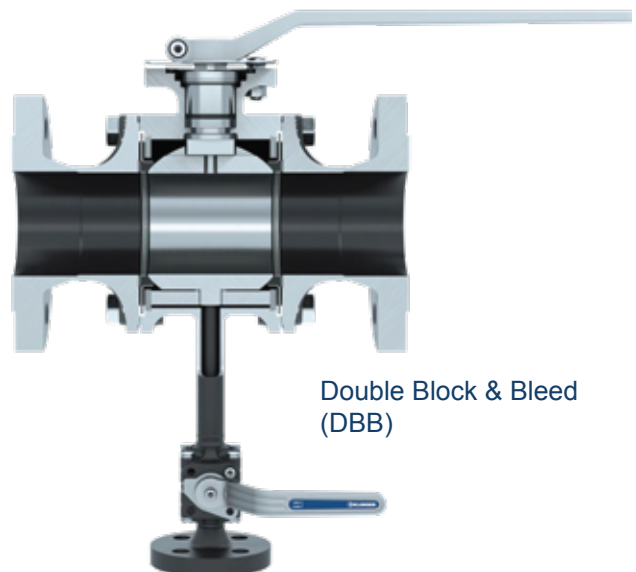
### Operating moments for DBB 15-125

Nominal diameter DN		Differential pressure (bar)							
		0	5	10	16	20	25	30	40
inch	mm	Torque (Nm)							
1/2"	15	6	6	7	7	7	7	7	8
3/4"	20	12	12	12	12	12	13	13	14
1"	25	14	14	15	15	16	17	17	18
1 1/4"	32	17	17	17	18	19	20	22	23
1 1/2"	40	25	25	27	29	31	32	33	35
2"	50	16	19	25	28	29	33	38	43
2 1/2"	65	26	38	46	47	55	59	67	75
3"	80	38	43	60	68	75	80	89	125
4"	100	38	62	90	108	133	155	184	207
5"	125	150	184	225	319	372	403	419	465

### Type overview



Trunnion mounted  
(TM)



Double Block & Bleed  
(DBB)

\*last updated 08/23