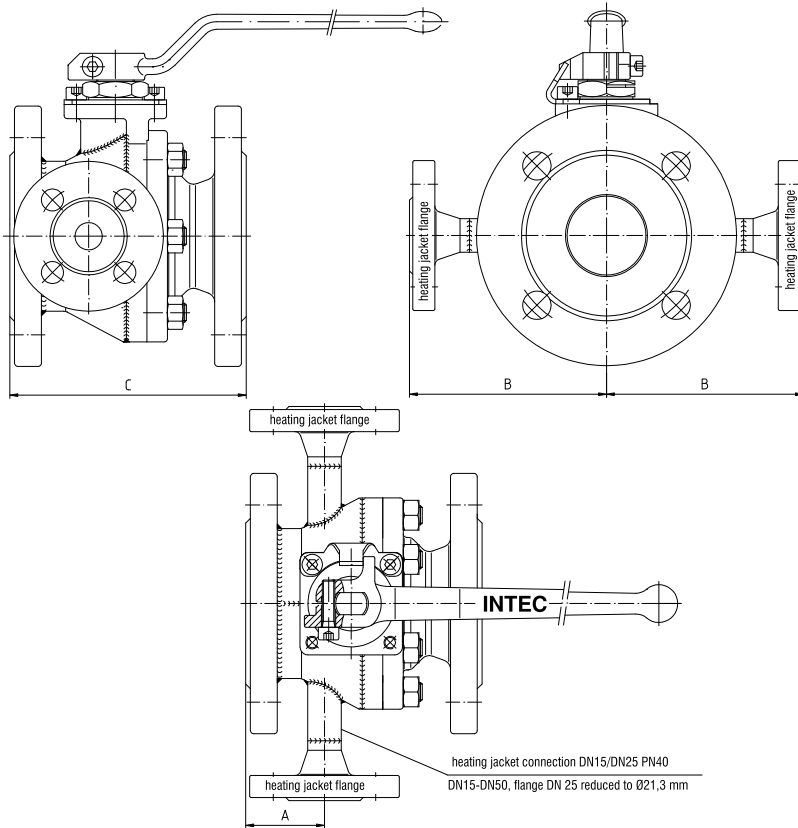


**One-piece heating jacket PN25**



**Heating jacket with flanges acc. to EN 1092**  
**Face to face acc. to EN 558, GR.1**  
**Face to face acc. to EN 558, GR.27**

**Dimensions**

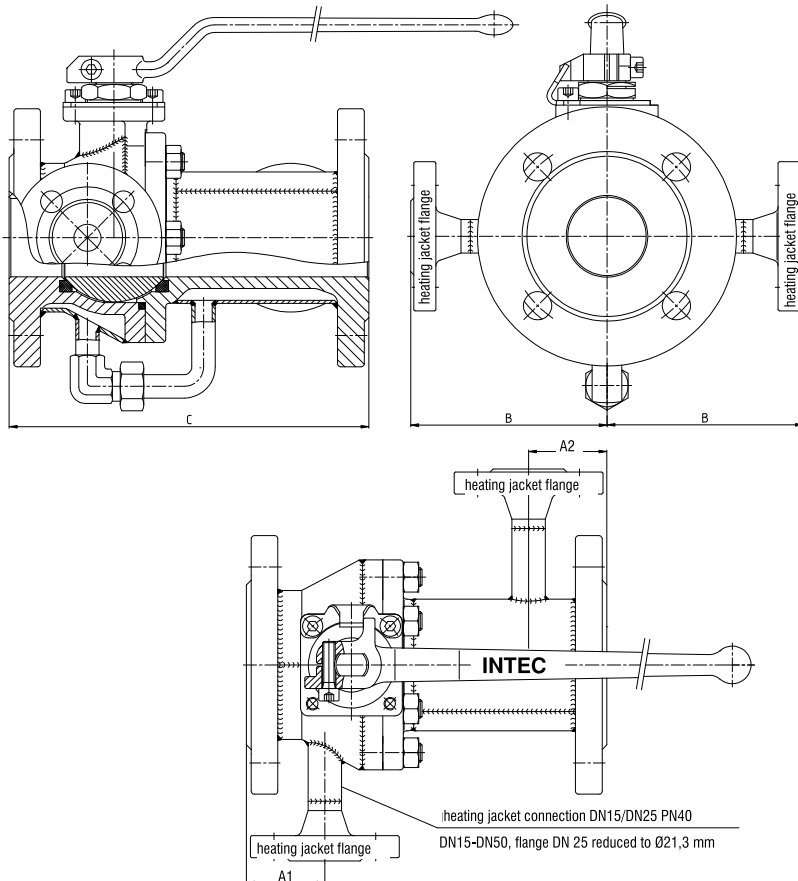
DN	dimensions (mm)		GR.1 C	GR.27 C
	A	B		
15*	70	110	130	--
15	38	80	130	--
25**	50	110	160	--
25***	70	110	160	--
40	60	115	200	140
50	60	125	230	150
65	55	150	290	170
80	80	150	310	180
100	70	160	350	190
150	90	195	480	350
200	90	350	600	400

\* solid material construction

\*\* body material 1.4408

\*\*\* body material 1.4571, 1.4462

**Two-piece heating jacket PN25**



**Heating jacket with flanges acc. to EN 1092**  
**Face to face acc. to EN 558, GR.1**  
**Face to face acc. to EN 558, GR.27**

**Dimensions**

DN	dimensions (mm)		GR.1 C	GR.27 C
	A1 / A2	B		
15	45 / 33	80	130	--
25	50 / 45	110	160	--
40	60 / 50	115	200	--
50	60 / 50	125	230	--
80	80 / 70	150	310	--
100	70	160	350	--
150	110 / 90	210	--	350
200	140 / 140	265	--	400
300	110 / 70	350	--	500